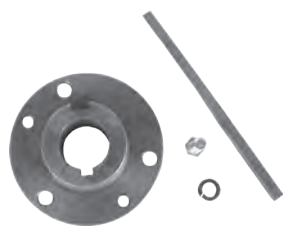


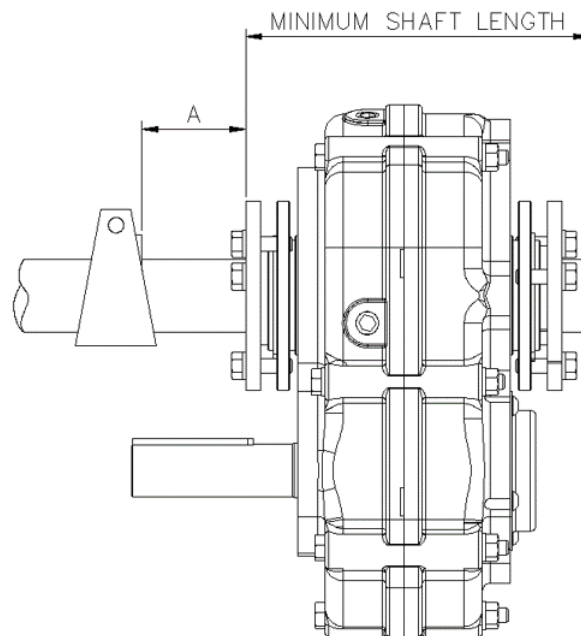
Tapered Bushing Kits



- » Sized for WorldWide shaft mount reducers
- » Interchangeable with other manufacturers
- » Fast and simple installation
- » Tapered support on both sides of the reducer
- » Includes fastening bolts and a full length shaft key

Box Size	Bushing Size (in.)	Model Number	List Price
2	1-1/4	2WTBK-1.14	
	1-5/16	2WTBK-1.516	
	1-3/8	2WTBK-1.38	
	1-7/16	2WTBK-1.716	
	1-1/2	2WTBK-1.12	
	1-5/8	2WTBK-1.58	
	1-11/16	2WTBK-1.1116	
	1-3/4	2WTBK-1.34	
	1-15/16	2WTBK-1.1516	
	3	1-11/16	3WTBK-1.1116
1-3/4		3WTBK-1.34	
1-15/16		3WTBK-1.1516	
2		3WTBK-2	
4	2-3/16	4WTBK-1.1516	
	2	4WTBK-2	
	2-3/16	4WTBK-2.316	
	2-1/4	4WTBK-2.14	
	2-7/16	4WTBK-2.716	
5	2-3/16	5WTBK-2.316	
	2-7/16	5WTBK-2.716	
	2-1/2	5WTBK-2.12	
	2-11/16	5WTBK-2.1116	
	2-15/16	5WTBK-2.1516	
6	2-1/2	6WTBK-2.12	
	2-11/16	6WTBK-2.1116	
	2-15/16	6WTBK-2.1516	
	3	6WTBK-3	
	3-7/16	6WTBK-3.716	
7	2-7/16	7WTBK-2.716	
	2-11/16	7WTBK-2.1116	
	2-15/16	7WTBK-2.1516	
	3	7WTBK-3	
	3-3/16	7WTBK-3.316	
8	3-7/16	7WTBK-3.716	
	3-15/16	7WTBK-3.1516	
	2-15/16	8WTBK-2.1516	
	3-7/16	8WTBK-3.716	
	3-15/16	8WTBK-3.1516	
9	4-3/16	8WTBK-4.316	
	4-7/16	8WTBK-4.716	
	3-7/16	9WTBK-3.716	
	3-15/16	9WTBK-3.1516	
	4-7/16	9WTBK-4.716	
10	4-15/16	9WTBK-4.1516	
	3-15/16	10WTBK-3.1516	
	4-7/16	10WTBK-4.716	
	4-15/16	10WTBK-4.1516	
	5-7/16	10WTBK-5.716	
12	5-7/16	12WTBK-5.716	
	5-15/16	12WTBK-5.1516	
	6	12WTBK-6	
	6-7/16	12WTBK-6.716	
	6-1/2	12WTBK-6.12	

Minimum Mounting Dimensions



Preferred Minimum Required Shaft Length	
Reducer Size	Preferred Minimum Required Shaft Length (inches)
SMR2, WSMR2, SCSMR2	7.84
SMR3, WSMR3, SCSMR3	9.93
SMR4, WSMR4, SCSMR4	10.71
SMR5, WSMR5, SCSMR5	11.48
SMR6, WSMR6, SCSMR6	12.49
SMR7, WSMR7, SCSMR7	13.73
SMR8, WSMR8, SCSMR8	14.91
SMR9, WSMR9, SCSMR9	15.11
SMR10, SCSMR10	16.62
SMR12	19.81

Bushing Screw Information and Minimum Clearance for Removal			
Reducer Size	Fastener Size	Torque (in.-lbs)	Dimension A
SMR2, WSMR2, SCSMR2	5/16-18	200	1.25
SMR3, WSMR3, SCSMR3	3/8-16	360	1.5
SMR4, WSMR4, SCSMR4	3/8-16	360	1.75
SMR5, WSMR5, SCSMR5	7/16-14	800	1.81
SMR6, WSMR6, SCSMR6	7/16-14	800	1.81
SMR7, WSMR7, SCSMR7	1/2-13	1000	2.06
SMR8, WSMR8, SCSMR8	1/2-13	1000	2.06
SMR9, WSMR9, SCSMR9	5/8-11	1900	2.44
SMR10, SCSMR10	5/8-11	1900	2.44
SMR12	5/8-11	1900	2.44